



Weather Station · Wetterstation ·

3-in-1 Anemometer Pro · Windmesser Pro

EN Instruction manual

DE Bedienungsanleitung

- DE** Besuchen Sie unsere Website über den folgenden QR Code oder Weblink um weitere Informationen zu diesem Produkt oder die verfügbaren Übersetzungen dieser Anleitung zu finden.
- EN** Visit our website via the following QR Code or web link to find further information on this product or the available translations of these instructions.
- FR** Si vous souhaitez obtenir plus d'informations concernant ce produit ou rechercher ce mode d'emploi en d'autres langues, rendez-vous sur notre site Internet en utilisant le code QR ou le lien correspondant.
- NL** Bezoek onze internetpagina via de volgende QR-code of weblink, voor meer informatie over dit product of de beschikbare vertalingen van deze gebruiksaanwijzing.
- IT** Desidera ricevere informazioni esaustive su questo prodotto in una lingua specifica? Venga a visitare il nostro sito Web al seguente link (codice QR Code) per conoscere le versioni disponibili.
- ES** ¿Desearía recibir unas instrucciones de uso completas sobre este producto en un idioma determinado? Entonces visite nuestra página web utilizando el siguiente enlace (código QR) para ver las versiones disponibles.
- CA** Voleu una guia detallada d'aquest producte en un idioma específic? Visiteu el nostre lloc web a través del següent enllaç (codi QR) per accedir a les versions disponibles.
- PT** Deseja um manual detalhado deste produto numa determinada língua? Visite a nossa Website através da seguinte ligação (QR Code) das versões disponíveis.



www.bresser.de/P7002531



GARANTIE · WARRANTY · GARANTÍA · GARANZIA



www.bresser.de/warranty_terms

RECYCLAGE (TRIMAN/France)



Points de collecte sur www.garantiedebresser.com
 Privilégiez la réparation au 1^{er} jour de votre appareil!



English 4

Deutsch 26

1 Imprint

Bresser GmbH

Gutenbergstr. 2
46414 Rhede
Germany

www.bresser.de

For any warranty claims or service inquiries, please refer to the information on "Warranty" and "Service" in this documentation. We ask for your understanding that unsolicited returns cannot be processed.

Errors and technical changes excepted.

© 2024 Bresser GmbH

All rights reserved.

The reproduction of this documentation - even in extracts - in any form (e.g. photocopy, print, etc.) as well as the use and distribution by means of electronic systems (e.g. image file, website, etc.) without the prior written permission of the manufacturer is prohibited.

The designations and brand names of the respective companies used in this documentation are generally protected by trade, trademark and/or patent law in Germany, the European Union and/or other countries.

2 Validity note

This documentation is valid for the products with the following article numbers:

7002531 7902531

Manual version: 0724

Manual designation:

Manual_7002531-79002531_Wind-gauge-Windmesser_ende_BRESSER_v072024a

Always provide information when requesting service.

3 About this Instruction Manual

NOTICE



These operating instructions are to be considered a component of the device.

Read the safety instructions and the instruction manual carefully before using this device.

Keep these instruction manual in a safe place for future reference. If the device is sold or passed on, the instruction manual must be passed on to any subsequent owner/user of the product.

4 General safety instructions

⚠ DANGER



Danger of suffocation!

Improper use of this product may result in suffocation, especially for children. It is therefore imperative that you observe the following safety information.

- Keep packaging materials (plastic bags, rubber bands, etc.) away from children! There is a danger of choking!
 - This product contains small parts that can be swallowed by children! Choking hazard!
-

⚠ DANGER



Risk of an electric shock!

This device contains electronic parts that are powered by a power source (AC adapter and/or batteries). Improper use of this product may result in electric shock. Electric shock can cause serious or fatal injuries. It is therefore imperative that you observe the following safety information.

-
- Never leave children unattended when handling the device! Follow the instructions carefully and do not attempt to power this device with anything other than power sources recommended in this instruction manual, otherwise there is a danger of an electric shock!



DANGER



Explosion hazard!

Improper use of this product may result in fire. It is essential that you observe the following safety information in order to avoid fires.

-
- Do not expose the device to high temperatures. Use only the recommended batteries. Do not short-circuit the device or batteries, or throw them into a fire! Excessive heat or improper handling could trigger a short-circuit, a fire or an explosion!

NOTICE



Danger of material damage!

Improper handling may result in damage to the unit and/or accessories. Therefore, use the device only in accordance with the following safety information.

-
- Do not disassemble the device! In the event of a defect, please contact your dealer. They will contact the Service Center and can arrange the return of this device for repair if necessary.
 - Do not immerse the unit in water!
 - Do not expose the device to impacts, vibrations, dust, constant high temperatures or excessive humidity. This can result in malfunctions, short-circuits or damage to the batteries and components.

- Use only the recommended batteries. Always replace weak or empty batteries with a new, complete set of batteries at full capacity. Do not use batteries from different brands or types or with different capacities. Remove batteries from the device if it is not to be used for a longer period of time!

NOTICE



Risk of voltage damage!

The manufacturer is not liable for damage related to improperly installed batteries!

5 Parts overview and delivery content - base station

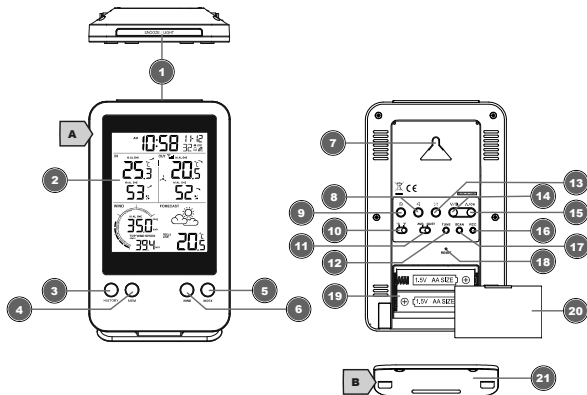


Illustration 1: All parts of the base station

1	SNOOZE/LIGHT button (snooze function and back-light)	2	Display
---	---	---	---------

3	HISTORY button (show hourly records for temperature, humidity and wind speed)	4	MEM button (show recorded data)
5	INDEX button (display change between 'feels like' temperature, dew point, heat index and wind chill index)	6	WIND button (wind speed unit setting or display change between hourly, daily, monthly and yearly top wind speed)
7	Wall mount	8	ALARM button (alarm time setting)
9	CLOCK button (manual time and date setting)	10	°C/°F slider (display change betw. °C and °F)
11	AVG/GUST slider (display change between average wind speed (AVG) and gust wind speed (GUST).	12	TUNE button (calibration of base station and sensor)
13	ALERT button (set temperature and humidity alarm)	14	DOWN/Contrast button (decrease value setting or change display contrast)
15	UP/CH button (increase value setting or select sensor channel)	16	RCC button (enable or disable RCC signal)
17	SCAN button (initiate sensor transmission)	18	RESET button (reset all settings)
19	Battery compartment	20	Battery compartment cover
21	Stand, removable		

Scope of delivery

Base unit (A), stand (B)

Recommended batteries (not included): 2 pcs. of Mignon batteries (1.5V AA type)

6 Parts overview and delivery content - windmeter

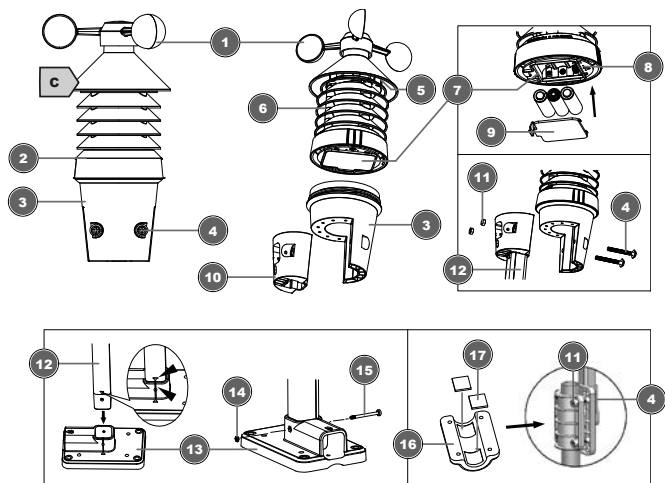


Illustration 2: All parts of the windmeter

1	Wind cups	2	Upper housing part
3	Bottom housing part	4	Thick fully threaded screw
5	LED Status indicator (flashes during data transmission)	6	Radiation protection slats
7	Battery compartment	8	RESET button (reset all settings)
9	Battery compartment cover	10	Rod clamp on bottom housing part
11	Thick nut	12	Mounting rod
13	Mounting base (for vertical and horizontal assembly of the mounting rod)	14	Thin nut
15	Thin partly threaded screw	16	Tube clamp (counterpart)
17	Rubber pads		

Scope of delivery

Windmeter (C), 2x thin partly threaded screw with nut, 4x thick fully threaded screw with nut and ring washer

Recommended batteries (not included):

3 pcs. of Mignon batteries (1.5V AA type) Mignon batteries (1.5V, AA type)

7 Scope of delivery

Base unit (A), stand (B), windmeter (C), mounting material incl. screws

Recommended batteries (not included)

Station: 2 pcs. Mignon batteries (1.5V, AA type)

Sensor: 3 pcs. Mignon batteries (1.5V, AA type)

8 Screen display

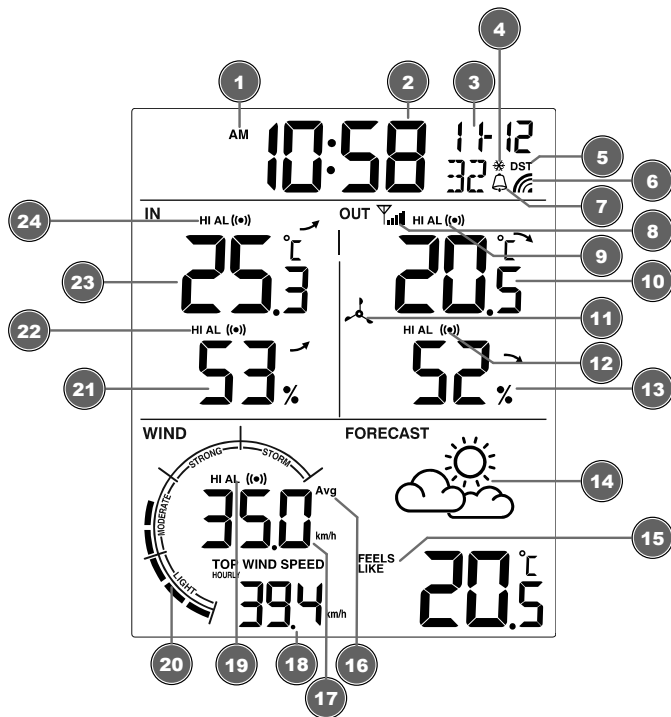


Illustration 3: Screen display

1	AM/PM information in 12-hour time mode	2	Current time (hours:minutes:seconds)
3	Date (month-day or reverse)	4	Frost warning enabled
5	Automatic daylight saving time enabled	6	Transmission symbol for radio-controlled clock

7	Alarm enabled	8	Reception symbol for outdoor sensor
9	Outdoor temperature alarm enabled	10	Outdoor temperature
11	Sensor symbol	12	Outdoor humidity alarm enabled
13	Humidity outdoors	14	Weather forecast
15	Information on 'feels like' temperature, wind chill, dew point and heat index	16	Type of wind speed (Avg=average, Gust=current gust)
17	Wind speed	18	Top wind speed (hourly, daily, monthly, yearly)
19	Wind speed alarm enabled	20	Wind speed classification (light, moderate, strong, storm)
21	Indoor humidity	22	Indoor humidity alarm enabled
23	Indoor temperature	24	Indoor temperature alarm enabled

9 Before starting operation

NOTICE



Avoid connection faults!

In order to avoid connection problems between the devices, the following points must be observed during commissioning.

1. Place the base unit (receiver) and sensor (transmitter) as close together as possible.
2. Connect the power supply to the base unit and wait until the indoor temperature is displayed.
3. Establish power supply for the sensor.
4. Set up/operate the base unit and sensor within the effective transmission range.
5. Make sure that the base unit and the radio sensor are set to the same channel.

When changing the batteries, always remove the batteries from both the base unit and the sensor and reinsert them in the correct order so that the radio link can be re-established. If one of the two devices is operated via a mains power connection, the power connection must also be briefly disconnected for this device when the batteries are changed. If, for example, only the batteries in the sensor are replaced, the signal may subsequently not be received at all or not be received correctly.

Note that the actual range depends on the respective construction materials used for the buildings as well as the respective position of the base unit and the outdoor sensor. External influences (various radio transmitters and other sources of interference) can greatly reduce the possible range. In such cases, we recommend finding other locations for both the base unit and the outdoor sensor. Sometimes moving the sensor by just a few centimeters is enough!

10 Setting up power supply

Base unit

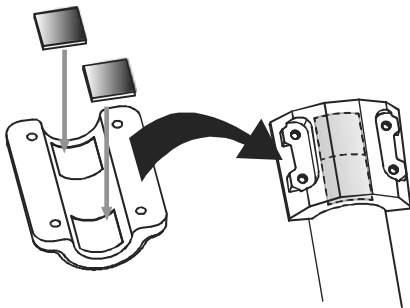
1. Remove the battery compartment cover.
2. Insert the batteries into the battery compartment. Ensure that the battery polarity (+/-) is correct.
3. Replace the battery compartment cover.
4. Wait until the indoor temperature is displayed on the base station.

Windmeter

5. Unscrew the upper housing part from the bottom part.
6. Remove the battery compartment cover from the bottom of the upper housing part.
7. Insert the batteries into the battery compartment. Ensure that the battery polarity (+/-) is correct.
8. Replace the battery compartment cover.

9. Screw bottom housing part to upper housing part.

11 Attaching rubber linings



Attach the supplied self-adhesive rubber pads to the clamps as shown to ensure a firmer fitting of the mounting rod.

12 Windmeter installation and mounting

Depending on the desired location, the remote sensor can be installed in different ways.

NOTICE! During the assembly make sure that the upper part of the wind vane is minimum 1.5 metres off the ground.

Assembly on a vertical or horizontal wooden element

1. Remove the screws from the bottom housing part.
2. Pull off the rod clamp from the bottom housing part.
3. Insert one end of the mounting rod into the opening of the rod clamp so that the position arrows match.
4. Fix the mounting rod to the rod clamp with a thin partially threaded screw and a nut.
5. Depending on the desired orientation, slide the opposite end of the mounting rod into the aperture for vertical or horizontal mounting of the mounting base.

-
6. Fix the mounting rod to the mounting base with a thin partially threaded screw and a nut.
 7. Place the mounting base with its bottom site first on a wooden element and fix it with 4 suitable wood screws.

Assembly on a vertical or horizontal tube

8. Repeat steps 1 to 6 as before.
9. Place the mounting base with its bottom site first on the tube and press the tube clamp (counterpart) against the tube from the opposite site.
10. Slide 4 screws through the bore holes of the mounting base and through the bore holes of the tube clamp on the other site.
11. Put on the 4 nuts and tighten the screw connection by hand.

13 Automatic time setting

After the power supply was established, the clock will automatically search for the radio signal. It takes about 3-8 minutes to complete this process.

If the radio signal is received correctly, the date and time will be set automatically and the radio control signal icon turns on.

If the clock fails to receive the time signal, go ahead with the following steps:


1. Press RCC button on the base station until radio signal symbol flashes.
2. If the device is still not receiving the signal, the time must be set manually.

14 Manual time setting and other user defined settings

To set the time / date manually, first disable the reception of the time signal by pressing the RCC button for approx. 8 seconds.

1. Press and hold CLOCK button for approx. 3 seconds to change to time setting mode.
2. Digits to be set are flashing.
3. Press UP/CH button or DOWN/Contrast Button to change the value.
4. Press CLOCK button to confirm and continue to the next setting.
5. Settings order: 12/24 hours mode > Hours > Minutes > Seconds > Year > D/M-M/D display change > Month > Day > Time offset > Language > DST AUTO/OFF
6. Finally press the CLOCK button to save the settings and exit the setting mode.

15 Alarm setting

1. Press and hold ALARM button for approx. 3 seconds to enter the alarm time setting mode.
2. Digits to be set are flashing.
3. Press UP or DOWN button to change the value.
4. Press ALARM button to confirm and continue to the next setting.
5. Settings order: Hours > Minutes
6. Finally press the ALARM button to save the settings and exit the setting mode. Alarm will be activated automatically. The symbol  will be displayed.
7. Press ALARM button in normal display mode to display the alarm time.

-
8. Press ALARM button during the alarm time display to disable the alarm.

16 Snooze function

1. When the alarm sounds press the SNOOZE/LIGHT button to activate the snooze function. The alarm will sound again in 5 minutes.
2. Press ALARM button when the alarm sounds to interrupt the alarm until the alarm time will be reached again.
3. The alarm will be turned off automatically if no button is pressed within 2 minutes.

17 Receiving measurements automatically



Once the power supply is enabled, the base station will display the measurement readings. Readings from the remote sensor will be displayed within 3 minutes after powering it on.

If no signal is received, go ahead with the following steps: Press SCAN button for approx. 2 seconds to initiate reception of measurements again.

Read the detailed manual for more information about readings (see download information on page 2).

18 Setting the ice pre-alarm

Once the outside temperature falls below 3 ° C (37 ° F) and the ice pre-alarm is activated, an additional alarm will sound approx. 30 minutes before the actual alarm time.

1. Set and activate alarm (see "Alarm time setting").
2. Press ALARM button several times until the symbols  and  appear together on the display.

19 MAX/MIN Weather data

The base station stores the highest and lowest values for various weather data over the last 24 hours:

1. In normal display mode, press MEM button several times to display the saved values one after another.
2. Display order: Highest indoor temperature > Lowest indoor temperature > Highest indoor humidity > Lowest indoor humidity > Highest outdoor temperature* > Lowest outdoor temperature* > Highest outdoor humidity* > Lowest outdoor humidity* > Highest feels like temperature > Lowest feels like temperature > Highest value for heat index > Lowest value for heat index > Highest value for dew point > Lowest value for dew point > Highest value for wind chill > Lowest value for wind chill > Maximum wind speed > Strongest gust
3. All values of the current recording period will automatically be deleted after 24 hours. Optionally press the MEM button for approx. 3 seconds to delete all stored values manually.
4. *for the currently selected channel

20 HI/LO Alert

HI/LO alert are used to alert you of certain weather conditions. Once activated, an alarm sound is triggered and the alert icon flashes as soon as a set value is reached. Supported areas and alarm types:

Area	Type of alert available
Indoor temperature	HI AL / LO AL
Indoor humidity	HI AL / LO AL
Outdoor temperature	HI AL / LO AL
Outdoor humidity	HI AL / LO AL
Rainfall (daily)	HI AL*
Wind speed	HI AL

HI AL = High alert / LO AL = Low alert

*Daily rainfall since midnight

HI/LO alert setting

1. Press ALERT button until the desired area is selected.
2. Press UP or DOWN button to change the value.
3. Press ALERT button to confirm and continue to the next setting.

Enable/Disable HI/LO Alert

4. Press ALERT button until the desired area is selected.
5. Press ALARM button, to activate the alarm.
6. Press ALERT button to confirm and continue to the next setting.

Note:

7. The unit will automatically exit setting mode in 5 seconds if no button is pressed.
8. When ALERT alarm is on, the area and type of alarm that triggered the alarm will be flashing and the alarm will sound for 2 minutes.
9. Press SNOOZE/LIGHT button when alarm sounds to interrupt the alarm. The alarm will then start again after 2 minutes.

Data clearing

10. Press and hold HISTORY button for approx. 3 seconds.
11. Press UP or DOWN button to choose YES or NO.
12. Press HISTORY button to confirm. This will clear out any rainfall data recorded before.

21 History data

The base station automatically records various wind measurements.

Press the HISTORY button repeatedly to display the hourly (HOURLY - up to 24 hours back), daily (DAILY - up to 31 days back), monthly (MONTHLY - up to 12 months back) or yearly (YEARLY - up to 3 years retroactively) maximum history data, depending on the current display mode.

22 Weather Trend

The weather station will calculate a weather trend for the next 12 hours on basis of the measured values.

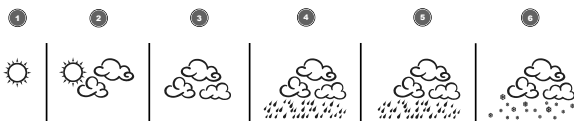
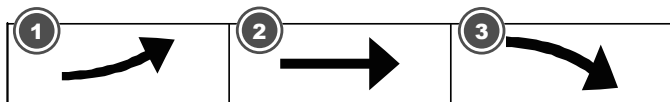


Illustration 4: Weather trend indicators

1	Sunny	2	Partly cloudy
3	Cloudy	4	Rain
5	Storm	6	Snow

23 Trend arrow indicators



1	Rising	2	Steady
3	Falling		

The temperature and humidity trend indicator shows the trends of changes in the forthcoming few minutes. Arrows indicate a rising, steady or falling trend.

24 Feels like temperature

Press the INDEX button repeatedly until FEELS LIKE appears on the display.

Note:

The feels like temperature indicates the temperature value according to the personal temperature perception.

25 Wind speed

Select wind speed unit

1. Press the WIND button for approx. 3 seconds to enter the setting mode.
2. Press the UP or DOWN button to change the unit between mph (miles per hour), m/s (miles per second), km/h (kilometer per hour) or knots.
3. Press the WIND button to save the settings and exit the setting mode.

Selecting the wind display mode

4. Use the [AVG / GUST] slide switch to switch between AVERAGE and GUST wind speed.
5. In normal mode, press [WIND] key to switch between HOURLY, DAILY, MONTHLY and YEARLY top wind speed record.

26 Wind chill factor

Press the INDEX button several times until WIND CHILL is displayed.

Note:

The wind chill factor is based on the common effects of temperature and wind speed. The displayed wind chill is calculated solely from temperature and wind speed and is measured by the outdoor sensor.

27 Heat index

Press the INDEX button several times until HEAT INDEX is displayed.

Heat index	Warning	Meaning
> 55° C (> 130° F)	Extreme danger	Strong risk of dehydration / sun stroke
41° C – 54° C (106° F – 129° F)	Danger	Heat exhaustion likely
33° C – 40° C (91° F – 105° F)	Extreme caution	Possibility of dehydration
27° C – 32° C (80° F – 90° F)	Caution	Possibility of heat exhaustion

Notice:

The perceived temperature is based on the common effects of temperature and humidity. Heat index is only calculated when room temperature is at 27° (80° F) or higher. The displayed perceived temperature is calculated solely from temperature and humidity and is measured by the outdoor sensor.

28 Dew point

Press the INDEX button several times until DEW POINT is displayed.

Note:

The dew point is the temperature below which the water vapor in air at constant barometric pressure condenses into liquid water at the same rate at which it evaporates. The condensed water is called dew when it forms on a solid surface. The dewpoint temperature is calculated from the indoor temperature and humidity measured at the main unit.

29 Beaufort scale

The Beaufort scale is an international scale of wind velocities from 0 (calm) to 12 (Hurricane force).

Beaufort number	Description	Speed
0	calm	< 1 km/h < 1 mph < 1 knots < 0.3 m/s
1	light air	1.1-5.5 km/h 1-3 mph 1-3 knots 0.3-1.5 m/s
2	light breeze	5.6-11 km/h 4-7 mph 1-3 knots 0.3-1.5 m/s
3	gentle breeze	12-19 km/h 8-12 mph 7-10 knots 3.5-5.4 m/s
4	moderate breeze	20-28 km/h 13-17 mph 11-16 knots 5.5-7.9 m/s
5	fresh breeze	29-38 km/h 18-24 mph 17-21 knots 8.0-10.7 m/s
6	strong gale	39-49 km/h 25-30 mph 22-27 knots 10.8-13.8 m/s
7	high wind	50-61 km/h 31-38 mph 28-33 knots 13.9-17.1 m/s
8	gale	62-74 km/h 39-46 mph 34-40 knots 17.2-20.7 m/s
9	strong gale	75-88 km/h 47-54 mph 41-47 knots 20.8-24.4 m/s

10	storm	89-102 km/h 55-63 mph 48-55 knots 24.5-28.4 m/s
11	violent storm	103-117 km/h 64-73 mph 56-63 knots 28.5-32.6 m/s
12	hurricane force	> 118 > 74 mph > 64 knots 32.7 m/s

30 Warranty

The regular warranty period is 2 years and starts on the day of purchase. To benefit from an extended voluntary warranty period as indicated on the gift box, registration on our website is required.

You can consult the full guarantee terms as well as information on extending the guarantee period and details of our services at www.bresser.de/warranty_terms.

31 CE declaration of conformity

CE Bresser GmbH hereby declares that the radio equipment type with item number 7002531 7902531 is in compliance with Directive 2014/53/EU. The full text of the CE Declaration of Conformity is available at the following web address: www.bresser.de/download/7002531_7902531/CE/7002531_7902531_CE.pdf

32 Disposal



Dispose of the packaging materials according to its type. Information on proper disposal can be obtained from the municipal waste disposal service provider or environmental agency.



Do not dispose of electronic devices in the household garbage!



According to the European Directive 2012/19/EU on Waste Electrical and Electronic Equipment and its transposition into national law, used electrical equipment must be collected separately and recycled in an environmentally sound manner.



Batteries and rechargeable batteries must not be disposed of with household waste. You are legally obliged to return used batteries and accumulators and can return them after use either at our sales outlet or in the immediate vicinity (e.g. in the trade or in municipal collection points) free of charge.

Batteries and accumulators are marked with a crossed-out dustbin and the chemical symbol of the pollutant, "Cd" stands for cadmium, "Hg" stands for mercury and "Pb" stands for lead.



Cd¹



Hg²



Pb³

1 Impressum

Bresser GmbH

Gutenbergstr. 2
46414 Rhede
Germany

www.bresser.de

Für etwaige Gewährleistungsansprüche oder Serviceanfragen verweisen wir auf die Informationen zu „Garantie“ und „Service“ in dieser Dokumentation. Wir bitten um Verständnis, dass unaufgeforderte Rücksendungen nicht bearbeitet werden können.

Irrtümer und technische Änderungen vorbehalten.

© 2024 Bresser GmbH

Alle Rechte vorbehalten.

Die Reproduktion dieser Dokumentation – auch auszugsweise – in irgendeiner Form (z.B. Fotokopie, Druck, etc.) sowie die Verwendung und Verbreitung mittels elektronischer Systeme (z.B. Bilddatei, Website, etc.) ohne eine vorherige schriftliche Genehmigung des Herstellers ist nicht gestattet.

Die in dieser Dokumentation verwendeten Bezeichnungen und Markennamen der jeweiligen Firmen sind im Allgemeinen in Deutschland, der Europäischen Union und/oder weiteren Ländern waren-, marken- und/oder patentrechtlich geschützt.

2 Gültigkeitshinweis

Diese Dokumentation ist gültig für die Produkte mit den nachfolgend aufgeführten Artikelnummern:

7002531 7902531

Anleitungsversion: 0724

Bezeichnung dieser Anleitung:

Manual_7002531-79002531_Wind-gauge-Windmesser_ende_BRESSER_v072024a

Informationen bei Serviceanfragen stets angeben.

3 Zu dieser Anleitung



HINWEIS

Diese Bedienungsanleitung ist als Teil des Gerätes zu betrachten!

Lesen Sie vor der Benutzung des Geräts aufmerksam die Sicherheitshinweise und die Bedienungsanleitung.

Bewahren Sie diese Bedienungsanleitung für die erneute Verwendung zu einem späteren Zeitpunkt auf. Bei Verkauf oder Weitergabe des Gerätes ist die Bedienungsanleitung an jeden nachfolgenden Besitzer/Benutzer des Produkts weiterzugeben.

4 Allgemeine Sicherheitshinweise



⚠ GEFAHR

Erstickungsgefahr!

Bei unsachgemäßer Verwendung dieses Produkts besteht Erstickungsgefahr, insbesondere für Kinder. Beachten Sie deshalb unbedingt die nachfolgenden Sicherheitsinformationen.

- Verpackungsmaterialien (Plastiktüten, Gummibänder, etc.) von Kindern fernhalten! Es besteht Erstickungsgefahr!
- Dieses Produkt beinhaltet Kleinteile, die von Kindern verschluckt werden können! Es besteht Erstickungsgefahr!

 **GEFAHR****Gefahr eines Stromschlags!**

Dieses Gerät beinhaltet Elektronikteile, die über eine Stromquelle (Netzteil und/oder Batterien) betrieben werden. Bei unsachgemäßer Verwendung dieses Produkts besteht die Gefahr eines Stromschlags. Ein Stromschlag kann zu schweren bis tödlichen Verletzungen führen. Beachten Sie daher unbedingt die nachfolgenden Sicherheitsinformationen.

- Lassen Sie Kinder beim Umgang mit dem Gerät nie unbeaufsichtigt! Die Nutzung darf nur, wie in der Anleitung beschrieben, erfolgen, andernfalls besteht die Gefahr eines Stromschlags!

 **GEFAHR****Explosionsgefahr!**

Bei unsachgemäßer Verwendung dieses Produkts besteht Explosionsgefahr. Beachten Sie unbedingt die nachfolgenden Sicherheitsinformationen, um eine Explosion zu vermeiden.

- Setzen Sie das Gerät keinen hohen Temperaturen aus. Benutzen Sie nur die empfohlenen Batterien. Gerät und Batterien nicht kurzschließen oder ins Feuer werfen! Durch übermäßige Hitze und unsachgemäße Handhabung können Kurzschlüsse, Brände und sogar Explosionen ausgelöst werden!

HINWEIS**Gefahr von Sachschäden!**

Bei unsachgemäßer Handhabung können das Gerät und/oder die Zubehörteile beschädigt werden. Verwenden Sie das Gerät deshalb nur entsprechend den nachfolgenden Sicherheitsinformationen.

-
- Bauen Sie das Gerät nicht auseinander! Wenden Sie sich im Falle eines Defekts an Ihren Fachhändler. Er nimmt mit dem Service-Center Kontakt auf und kann das Gerät ggf. zwecks Reparatur einschicken.
 - Gerät nicht in Wasser tauchen!
 - Das Gerät keinen Stößen, Erschütterungen, Staub, dauerhaft hohen Temperaturen oder extremer Feuchtigkeit aussetzen. Dies kann zu Fehlfunktionen, Kurzschlüssen sowie zu Beschädigungen an Batterien und Bauteilen führen.
 - Nur die empfohlenen Batterien verwenden. Schwache oder verbrauchte Batterien immer durch einen komplett neuen Satz Batterien mit voller Kapazität ersetzen. Keine Batterien unterschiedlicher Marken, Typen oder mit unterschiedlich hoher Kapazität verwenden. Batterien aus dem Gerät entfernen wenn es längere Zeit nicht benutzt wird.

HINWEIS



Gefahr von Spannungsschäden!

Für Spannungsschäden in Folge falsch eingelegter Batterien übernimmt der Hersteller keine Haftung!

5 Teileübersicht und Lieferumfang - Basisstation

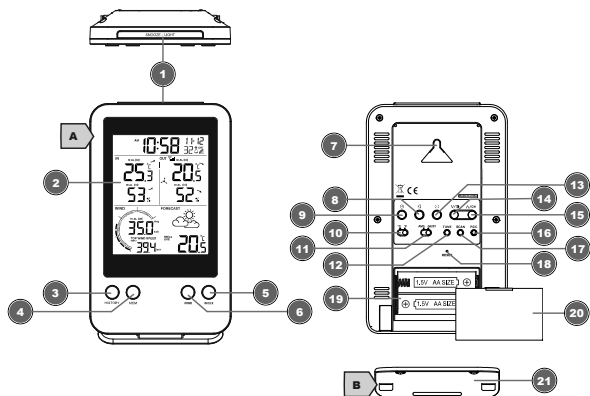


Abb. 1: Alle Teile der Basisstation

1	SNOOZE/LIGHT-Taste (Schlummerfunktion u. Hintergrundbeleuchtung)	2	Display
3	HISTORY-Taste (Abruf stündlicher Werte für Temperatur, Luftfeuchtigkeit und Windgeschwindigkeit)	4	MEM-Taste (Abruf gespeicherter Werte)
5	INDEX-Taste (Anzeigewechsel zwischen gefühlter Temperatur, Taupunkt, Wärmeindex und Windkühlfaktor)	6	WIND-Taste (Einstellung der Windgeschwindigkeitseinheit oder Anzeigewechsel zwischen stündlichem, täglichem, monatlichem und jährlichem Windgeschwindigkeitshöchstwert)
7	Wandhalterung	8	ALARM-Taste (Weckzeit-Einstellung)

9	CLOCK-Taste (Manuelle Einstellung von Zeit und Datum)	10	°C/°F-Schieberegler (Anzeigewechsel zw. °C u. °F)
11	AVG/GUST-Schieberegler (Anzeigewechsel zw. durchschnittlicher (AVG) und Böen-Windgeschwindigkeit (GUST))	12	TUNE-Taste (Kalibrierung der Basisstation und des Sensors)
13	ALERT-Taste (Temperatur- und Luftfeuchtigkeitsalarm einstellen)	14	DOWN/Kontrast-Taste (Wert verringern oder Displaykontrast ändern)
15	UP/CH-Taste (Wert erhöhen oder Sensor-Kanalwahl)	16	RCC-Taste (Aktivieren oder deaktivieren des Funkuhrsignals)
17	SCAN-Taste (Sensor-Verbindung initiieren)	18	RESET-Taste (alle Einstellungen zurücksetzen)
19	Batteriefach	20	Batteriefachdeckel
21	Standfuß, abnehmbar		

Lieferumfang

Basisgerät (A), Standfuß (B)

Erforderliche Batterien (nicht im Lieferumfang enthalten):

2 Stck. Mignon-Batterien (1.5V, Typ AA)

6 Teileübersicht und Lieferumfang - Windmesser

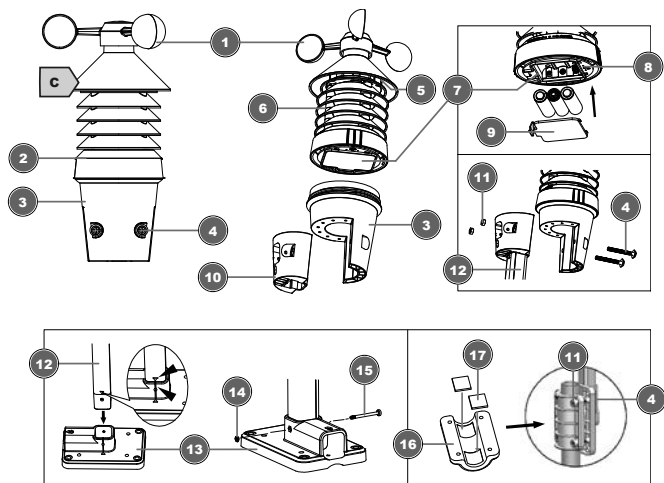


Abb. 2: Alle Teile des Windsensors

1	Windschalen	2	Oberer Gehäuseteil
3	Unterer Gehäuseteil	4	Vollgewindeschraube dick
5	LED-Statusleuchte (blinkt b. Datenübertr.)	6	Strahlenschutzlamellen
7	Batteriefach	8	RESET-Taste (alle Einstellungen zurücksetzen)
9	Batteriefachdeckel	10	Rohrklemme am unteren Gehäuseteil
11	Schraubenmutter dick	12	Montagestab
13	Montagebasis (für vertikale und horizontale Befestigung des Montagestabes)	14	Schraubenmutter dünn
15	Teilgewindeschraube dünn	16	Rohrklemme (Gegenstück)

Lieferumfang

Windmesser (C), 2x Teilgewindeschraube dünn mit Mutter,
4x Vollgewindeschraube dick mit Mutter und Unterlegschei-
be

Erforderliche Batterien (nicht im Lieferumfang enthalten):
3 Stck. Mignon-Batterien (1.5V, Typ AA)

7 Lieferumfang

Basisgerät (A), Standfuß (B), Windmeser (C), Montagemateri-
al inkl. Schrauben

Erforderliche Batterien (nicht im Lieferumfang enthalten):

Station: 2 Stck. Mignon-Batterien (1.5V, Typ AA)

Sensor: 3 Stck. Mignon-Batterien (1.5V, Typ AA)

8 Display-Anzeigen

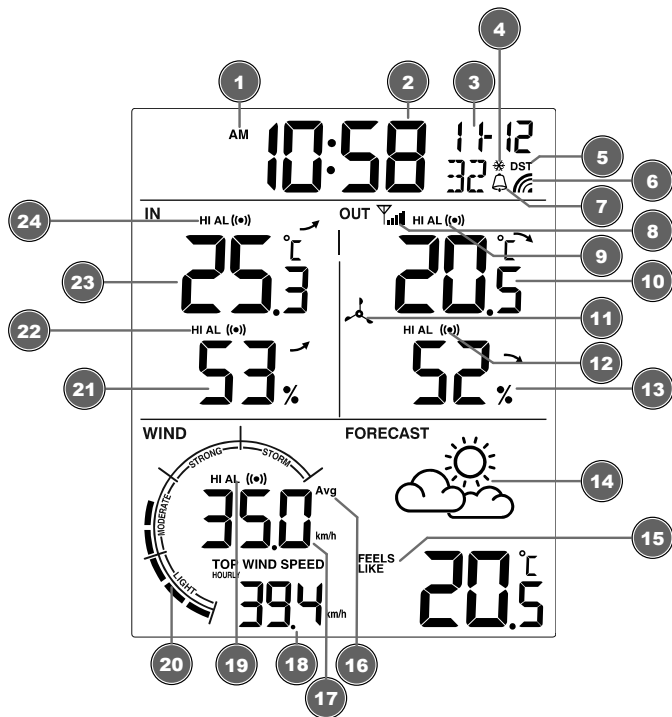


Abb. 3: Display-Anzeigen

1	AM/PM-Information im 12-Stunden-Zeitmodus	2	Aktuelle Uhrzeit (Stunden:Minuten: Sekunden)
3	Datum (Monat-Tag oder umgekehrt)	4	Frostwarnung aktiv
5	Automatische Sommerzeit aktiv	6	Empfangssymbol Funkuhr
7	Weckruf aktiv	8	Empfangssymbol Außensensor

9	Außenemotionalarm aktiv	10	Außentemperatur
11	Sensor-Symbol	12	Außenluftfeuchtigkeitsalarm aktiv
13	Außenluftfeuchtigkeit	14	Wettervorhersage
15	Informationen zu gefühlter Temperatur, Windkühle, Taupunkt und Hitzeindex	16	Windgeschwindigkeitsart (Avg=Durchschnitt, Gust=aktuelle Böe)
17	Windgeschwindigkeit	18	Windhöchstgeschwindigkeit (stündlich, täglich, monatlich, jährlich)
19	Windgeschwindigkeitsalarm aktiv	20	Windgeschwindigkeitseinstufung (leicht, mäßig, stark, stürmisch)
21	Innenluftfeuchtigkeit	22	Innenluftfeuchtigkeitsalarm aktiv
23	Innentemperatur	24	Innentemperaturalarm aktiv

9 Vor der Inbetriebnahme

HINWEIS



Vermeidung von Verbindungsstörungen!

Um Verbindungsstörungen zwischen den Geräten zu vermeiden, sind die folgenden Punkte bei der Inbetriebnahme zu beachten.

1. Basisgerät (Empfänger) und Sensor (Sender) so nah wie möglich nebeneinander stellen/legen.
2. Stromversorgung für das Basisgerät herstellen und warten bis die Innentemperatur angezeigt wird.
3. Stromversorgung für den Sensor herstellen.
4. Basisgerät und Sensor innerhalb des effektiven Übertragungsbereichs aufstellen/betreiben.
5. Sicherstellen, dass Basisgerät und Funksensor auf den gleichen Kanal eingestellt sind.

Bei einem Batteriewechsel stets die Batterien sowohl im Basisgerät als auch im Sensor entfernen und in richtiger Reihenfolge wieder neu einsetzen, damit die Funkverbindung

erneut aufgebaut werden kann. Wird eines der beiden Geräte über einen Netzstromanschluss betrieben, so muss auch für dieses bei einem Batteriewechsel kurzzeitig die Stromverbindung getrennt werden. Werden z.B. nur die Batterien im Sensor ausgetauscht, kann das Signal anschließend gar nicht oder nicht mehr korrekt empfangen werden.

Beachten Sie, dass die tatsächliche Reichweite von den jeweils verwendeten Baumaterialien der Gebäude sowie der jeweiligen Position der Basiseinheit und des Außensensors abhängt. Durch externe Einflüsse (diverse Funksender und andere Störquellen) kann sich die mögliche Reichweite stark verringern. In solchen Fällen empfehlen wir, sowohl für das Basisgerät als auch den Außensensor andere Standorte zu suchen. Manchmal reicht schon ein Verschieben um wenige Zentimeter!

10 Stromversorgung herstellen

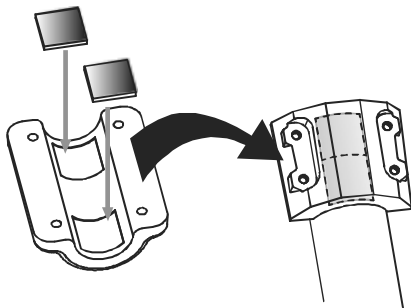
Basisgerät

1. Batteriefachdeckel entfernen.
2. Batterien in das Batteriefach einsetzen. Dabei die korrekte Ausrichtung der Batteriepole (+/-) beachten.
3. Batteriefachdeckel wieder aufsetzen.
4. Warten bis Innentemperatur auf dem Basisgerät angezeigt wird.

Windmesser

5. Unteren vom oberen Gehäuseteil abschrauben.
6. Batteriefachdeckel an der Unterseite des oberen Gehäuseteils entfernen.
7. Batterien in das Batteriefach einsetzen. Dabei die korrekte Ausrichtung der Batteriepole (+/-) beachten.
8. Batteriefachdeckel wieder aufsetzen.
9. Unteren an oberen Gehäuseteil schrauben.

11 Gummibeläge anbringen



Die mitgelieferten selbstklebenden Gummibeläge an den Rohrteilen wie abgebildet anbringen, um einen festeren Sitz der Montagestange zu gewährleisten.

12 Windsensor montieren und anbringen

Abhängig vom gewünschten Standort kann der Funksensor auf verschiedene Weise montiert werden.

HINWEIS! Bei der Montage stets darauf achten, dass sich der obere Teil der Windfahne mindestens 1,5 Meter über dem Erdboden befindet.

Montage an einem vertikal oder horizontal ausgerichteten Holzelement

1. Die Schrauben am unteren Gehäuseteil entfernen.
2. Die Rohrklammer vom unteren Gehäuseteil abziehen.
3. Ein Ende des Montagestabs in die Öffnung der Rohrklammer einführen so dass die Positionspfeile übereinstimmen.
4. Mit dünner Teilgewindeschraube und Mutter den Stab an der Rohrklammer fixieren.

-
5. Je nach gewünschter Ausrichtung (horizontal oder vertikal), das andere Ende des Montagestabes in die entsprechende Öffnung des Montageschuhs stecken.
 6. Mit dünner Teilgewindeschraube und Mutter den Stab am Montageschuh fixieren.
 7. Die Unterseite des Montageschuhs auf das Holzelement setzen und mit 4 geeigneten Holzschrauben anschrauben.

Montage an einem vertikal oder horizontal ausgerichteten Rohr

8. Die Schritte 1 bis 6 wie zuvor ausführen.
9. Die Unterseite des Montagefußes auf das Rohr aufsetzen und die Rohrklemme (Gegenstück) von der anderen Seite gegen das Rohr drücken.
10. Die 4 Schrauben durch die Bohrungen des Montageschuhs und auf der anderen Seite durch die Bohrungen der Rohrklemme stecken.
11. Die 4 Muttern aufsetzen und die Schraubverbindungen handfest anziehen.

13 Automatische Zeiteinstellung

Nachdem die Stromversorgung hergestellt wurde, sucht das Gerät automatisch nach dem Funksignal. Es dauert etwa 3-8 Minuten bis dieser Prozess abgeschlossen ist.

Bei korrektem Empfang des Funksignals werden Datum und Uhrzeit automatisch eingestellt und das Empfangssymbol wird angezeigt.

Wird kein Funksignal empfangen, folgendermaßen vorgehen:


1. RCC-Taste am Basisgerät drücken bis das Symbol für das Funksignal blinkt.
2. Wird weiterhin kein Funksignal empfangen, muss die Zeiteinstellung manuell vorgenommen werden.

14 Manuelle Zeit- und weitere benutzerdefinierte Einstellungen

Um Uhrzeit/Datum manuell einzustellen, deaktivieren Sie zunächst den Empfang des Zeitsignals, indem Sie etwa 8 Sekunden die RCC-Taste drücken.

1. CLOCK-Taste ca. 3 Sekunden drücken um in den Zeiteinstellungsmodus zu gelangen.
2. Die einzustellenden Ziffern blinken.
3. UP/CH- oder DOWN/Kontrast-Taste drücken, um den Wert zu verändern.
4. CLOCK-Taste drücken, um die Eingabe zu bestätigen und zur nächsten Einstellung zu wechseln.
5. Reihenfolge der Einstellungen: 12-/24-Stunden-Modus > Stunden > Minuten > Sekunden > Jahr > D/M-M/D-Anzeigewechsel > Monat > Tag > Zeitversatz > Sprache > Sommerzeit autom./aus (Auto/off)
6. CLOCK-Taste abschließend drücken, um Einstellungen zu speichern und den Einstellungsmodus zu verlassen.

15 Weckrufeinstellung

1. ALARM-Taste ca. 3 Sekunden drücken um in den Weckzeiteinstellungsmodus zu gelangen.
2. Die einzustellenden Ziffern blinken.
3. UP- oder DOWN-Taste drücken, um den Wert zu verändern.
4. ALARM-Taste drücken, um die Eingabe zu bestätigen und zur nächsten Einstellung zu wechseln.
5. Reihenfolge der Einstellungen: Stunden > Minuten
6. ALARM-Taste abschließend drücken, um Einstellungen zu speichern und den Einstellungsmodus zu verlassen. Der Weckruf wird automatisch aktiviert. Das Symbol  wird auf dem Display angezeigt.

-
7. Im normalen Anzeigemodus die ALARM-Taste drücken, um die Weckzeit anzuzeigen.
 8. Während der Weckzeit-Anzeige die ALARM-Taste drücken, um den Weckruf zu aktivieren oder deaktivieren.

16 Schlummerfunktion

1. Bei Ertönen des Weckrufs die SNOOZE/LIGHT-Taste drücken, um die Schlummerfunktion zu aktivieren. Weckruf ertönt erneut nach 5 Minuten.
2. Beim Ertönen des Weckrufs die ALARM-Taste drücken, um den Weckruf bis zum erneuten Erreichen der eingestellten Weckzeit auszusetzen.
3. Wird keine Taste gedrückt, schaltet sich der Weckruf automatisch nach 2 Minuten ab.

17 Automatische Messwerteübertragung

Sobald die Stromversorgung hergestellt wurde, beginnt die Basisstation mit der Anzeige der Messwerte für den Innenbereich. Die ersten vom Außensensor empfangenen Messwerte werden innerhalb von etwa 3 Minuten nach Inbetriebnahme angezeigt.



Wird kein Signal empfangen, folgendermaßen vorgehen:

SCAN-Taste ca. 2 Sekunden drücken, um den Empfang der Messwerte erneut zu initiieren.

Nähere Informationen zum Abruf weiterer Messwerte sind der ausführlichen Bedienungsanleitung zu entnehmen (siehe Download-Information auf Seite 2).

18 Frost-Voralarm einstellen

Wenn die Außentemperatur unter 3° C (37° F) fällt, ertönt bei aktiviertem Frost-Voralarm ca. 30 Minuten vor der eigentlichen Weckzeit ein zusätzlicher Alarm. Um den Voralarm zu aktivieren, folgendermaßen vorgehen:

-
1. Weckzeit einstellen und Weckruf aktivieren (siehe „Weckrufeinstellung“).
 2. ALARM-Taste ggf. mehrmals drücken bis die Symbole  und  gemeinsam auf dem Display erscheinen.

19 MAX/MIN Wetterdaten

Die Basisstation speichert die Höchst- und Tiefstwerte für diverse Wetterdaten in den letzten 24 Stunden:

1. Im normalen Anzeigemodus die MEM-Taste mehrmals drücken, um nacheinander die gespeicherten Werte anzuzeigen.
2. Reihenfolge der Anzeige: Innentemperatur-Höchstwert > Innentemperatur-Tiefstwert > Innenluftfeuchtigkeit-Höchstwert > Innenluftfeuchtigkeit-Tiefstwert > Außentemperatur-Höchstwert* > Außentemperatur-Tiefstwert* > Außenluftfeuchtigkeit-Höchstwert* > Außenluftfeuchtigkeit-Tiefstwert* > Höchstwert für gefühlte Temperatur > Tiefstwert für gefühlte Temperatur > Höchstwert für Hitzeindex > Tiefstwert für Hitzeindex > Höchstwert für Taupunkt > Tiefstwert für Taupunkt > Höchstwert für Windkühle > Tiefstwert für Windkühle > Höchstwert für Windgeschwindigkeit > Stärkste Windböe
3. Nach 24 Stunden werden die Werte des aktuellen Aufzeichnungszeitraums automatisch gelöscht. Alternativ bei Anzeige eines beliebigen gespeicherten Wertes die MEM-Taste ca. 3 Sekunden lang drücken, um den gesamten Wertespeicher manuell zu löschen.
4. *für den gegenwärtig gewählten Kanal

20 Höchst-/Tiefstwert-Alarm

Mit dem Höchst-/Tiefstwert-Alarm (HI/LO) AL) können Sie sich über veränderte Wetterbedingungen informieren. Einmal aktiviert, ertönt ein Alarmsignal und die Signalleuchte blinkt, sobald ein eingestellter Wert erreicht wird. Unterstützte Bereiche und Alarmtypen:

Bereich	Verfügbare Alarm-Typ
Innentemperatur	HI AL / LO AL
Luftfeuchtigkeit (innen)	HI AL / LO AL
Außentemperatur	HI AL / LO AL
Luftfeuchtigkeit (außen)	HI AL / LO AL
Niederschlag (täglich)	HI AL*
Windgeschwindigkeit	HI AL

HI AL = Höchstwert-Alarm / LO AL = Tiefstwert-Alarm

*Niederschlag des aktuellen Tages seit Mitternacht

Höchst-/Tiefstwert-Alarm einstellen

1. ALERT-Taste drücken bis der gewünschte Bereich angezeigt wird.
2. UP- oder DOWN-Taste drücken, um den Wert zu verändern.
3. ALERT-Taste drücken, um die Eingabe zu bestätigen und zur nächsten Einstellung zu wechseln.

Höchst-Tiefstwert-Alarm ein-/ausschalten

4. ALERT-Taste drücken bis der gewünschte Bereich angezeigt wird.
5. ALARM-Taste drücken, um den Alarm zu aktivieren.
6. ALERT-Taste drücken, um die Eingabe zu bestätigen und zur nächsten Einstellung zu wechseln.

Hinweis:

7. Die Basisstation schließt den Einstellungsmodus automatisch, wenn 5 Sekunden lang keine Taste betätigt wurde.
8. Bei der Alarmauslösung blinkt die Anzeige des Bereichs, für den der Alarm ausgelöst wurde, und der Alarm ertönt für etwa 2 Minuten.
9. Beim Ertönen des Alarms können Sie die SNOOZE/LIGHT-Taste drücken, um den Weckalarm zu unterbrechen. Der Alarm ertönt dann nach 2 Minuten erneut.

Datenbereinigung

10. HISTORY-Taste für ca. 3 Sekunden drücken.
11. UP- oder DOWN-Taste drücken, um YES oder NO auszuwählen.
12. HISTORY-Taste drücken, um die Eingabe zu bestätigen. Damit werden die bisher aufgezeichneten Niederschlagsdaten gelöscht.

21 Historie-Daten

Die Basisstation zeichnet automatisch verschiedene Wind-Messwerte auf.

HISTORY-Taste ggf. mehrfach drücken, um abhängig vom gegenwärtigen Anzeigemodus die Historie-Daten für die stündlichen (HOURLY – bis zu 24 Stunden rückwirkend), täglichen (DAILY – bis zu 31 Tage rückwirkend), monatlichen (MONTHLY – bis zu 12 Monate rückwirkend) oder jährlichen (YEARLY – bis zu 3 Jahre rückwirkend) Höchstwerte zur anzuzeigen.

22 Wettertrend

Aus den gemessenen Werten wird ein Wettertrend für die nächsten 12 Stunden errechnet und folgendermaßen grafisch dargestellt:

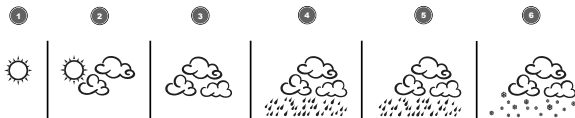
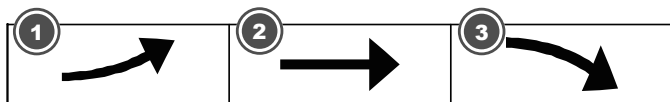


Abb. 4: Symbole der Wettertrendanzeige

1	Sonnig	2	Teilweise bewölkt
3	Bewölkt	4	Regen
5	Stürmisch	6	Schnee

23 Trendpfeile



1	steigend	2	stabil
3	fallend		

Der Temperatur- und Luftfeuchtigkeits-Trendindikator zeigt die Trends der Wetterveränderung für die kommenden Minuten an. Pfeile zeigen einen steigenden, gleichbleibenden oder fallenden Trend an.

24 Gefühlte Temperatur

Drücken Sie die INDEX-Taste mehrmals bis FEELS LIKE (gefühl) auf dem Display angezeigt wird.

Hinweis:

Die gefühlte Temperatur gibt den Temperaturwert entsprechend dem persönlichen Temperaturempfinden an.

25 Windgeschwindigkeit

Maßeinheit für die Windgeschwindigkeit wählen

1. WIND-Taste für ca. 3 Sekunden drücken um in den Einstellungsmodus zu gelangen.
2. UP- oder DOWN-Taste drücken um mph (Meilen pro Stunde), m/s (Meter pro Stunde), km/h (Kilometer pro Stunde) oder knots (Knoten) zu wählen.
3. WIND-Taste drücken um die Einstellung zu speichern und den Einstellungsmodus zu verlassen.

Auswählen des Windanzeigemodus

4. Verwenden Sie den Schiebeschalter [AVG / GUST], um zwischen der durchschnittlichen Windgeschwindigkeit (AVG) und der Windgeschwindigkeit (GUST) zu wechseln.
5. Drücken Sie im normalen Modus die Taste [WIND], um zwischen der Aufzeichnung der höchsten Windgeschwindigkeit pro Stunde, pro Tag, pro Monat und pro Jahr zu wechseln.

26 Windkühlfaktor

Drücken Sie die INDEX-Taste mehrmals bis WIND CHILL (Windkühle) auf dem Display angezeigt wird.

Hinweis:

Der Windkühlfaktor basiert auf den gemeinsamen Auswirkungen von Temperatur und Windgeschwindigkeit. Die angezeigte Windkühle wird ausschließlich aus Temperatur und Windgeschwindigkeit berechnet und vom Außensensor gemessen.

27 Hitzeindex

Drücken Sie die INDEX-Taste mehrmals bis HEAT INDEX (Hitzeindex) auf dem Display angezeigt wird.

Hitzeindex	Warnung	Bedeutung
> 55° C (> 130° F)	Extreme Gefahr	Extremes Risiko einer Dehydratation/eines Hitzeschlags
41° C – 54° C (106° F – 129° F)	Gefahr	Hitzekollaps wahrscheinlich
33° C – 40° C (91° F – 105° F)	Erhöhte Vorsicht	Gefahr einer Dehydratation
27° C – 32° C (80° F – 90° F)	Vorsicht	Gefahr eines Hitzekollaps

Hinweis:

Die gefühlte Temperatur basiert auf den gemeinsamen Auswirkungen von Temperatur und Luftfeuchtigkeit. Der Hitzeindex wird nur berechnet, wenn sich die Temperatur bei 27° (80° F) oder höher befindet. Die angezeigte gefühlte Temperatur wird ausschließlich aus Temperatur und Luftfeuchtigkeit berechnet und wird vom Außensensor gemessen.

28 Taupunkt

Drücken Sie die INDEX-Taste mehrmals bis DEW POINT (Taupunkt) auf dem Display angezeigt wird.

Hinweis:

Der Taupunkt ist die Temperatur unterhalb dessen Wasserdampf bei konstantem Luftdruck zu gleichen Teilen wie es verdampft ist wieder zu Wasser kondensiert. Kondensiertes Wasser wird Tau genannt, wenn es sich an einer festen

Oberfläche bildet. Die Taupunkt-Temperatur wird aus der gemessenen Innentemperatur und -luftfeuchtigkeit berechnet.

29 Beaufort-Skala

Die Beaufort-Skala ist eine internationale Skala zur Klassifizierung der Windgeschwindigkeit von 0 (windstill) bis 12 (Orkan-Stärke).

Beaufort-Nummer	Beschreibung	Geschwindigkeit
0	windstill	< 1 km/h < 1 mph < 1 knots < 0.3 m/s
1	leichter Zug	1.1-5.5 km/h 1-3 mph 1-3 knots 0.3-1.5 m/s
2	leichte Brise	5.6-11 km/h 4-7 mph 1-3 knots 0.3-1.5 m/s
3	schwache Brise	12-19 km/h 8-12 mph 7-10 knots 3.5-5.4 m/s
4	mäßige Brise	20-28 km/h 13-17 mph 11-16 knots 5.5-7.9 m/s
5	frische Brise	29-38 km/h 18-24 mph 17-21 knots 8.0-10.7 m/s
6	starker Wind	39-49 km/h 25-30 mph 22-27 knots 10.8-13.8 m/s
7	steifer Wind	50-61 km/h 31-38 mph 28-33 knots 13.9-17.1 m/s
8	stürmischer Wind	62-74 km/h 39-46 mph 34-40 knots 17.2-20.7 m/s
9	Sturm	75-88 km/h 47-54 mph 41-47 knots 20.8-24.4 m/s
10	schwerer Sturm	89-102 km/h 55-63 mph 48-55 knots 24.5-28.4 m/s


11	orkanartiger Sturm	103-117 km/h 64-73 mph 56-63 knots 28.5-32.6 m/s
12	Orkan	> 118 > 74 mph > 64 knots 32.7 m/s

30 Garantie

Die reguläre Garantiezeit beträgt 2 Jahre und beginnt am Tag des Kaufs. Um von einer verlängerten, freiwilligen Garantiezeit wie auf dem Geschenkkarton angegeben zu profitieren, ist eine Registrierung auf unserer Website erforderlich.

Die vollständigen Garantiebedingungen sowie Informationen zu Garantiezeitverlängerung und Serviceleistungen können Sie unter www.bresser.de/garantiebedingungen einsehen.

31 CE-Konformitätserklärung

 Hiermit erklärt Bresser GmbH, dass der Funkanlagentyp mit Artikelnummer 7002531 7902531 der Richtlinie 2014/53/EU entspricht. Der vollständige Text der CE-Konformitätserklärung ist unter der folgenden Internetadresse verfügbar: www.bresser.de/download/7002531_7902531/CE/7002531_7902531_CE.pdf

32 Entsorgung



Entsorgen Sie die Verpackungsmaterialien sortenrein. Informationen zur ordnungsgemäßen Entsorgung erhalten Sie beim kommunalen Entsorgungsdienstleister oder Umweltamt.



Werfen Sie Elektrogeräte nicht in den Hausmüll! Gemäß der Europäischen Richtlinie 2012/19/EG über Elektro- und Elektronik-Altgeräte und deren Umsetzung in nationales Recht müssen verbrauchte Elektrogeräte getrennt gesammelt und einer umweltgerechten Wiederverwertung zugeführt werden.



Batterien und Akkus dürfen nicht im Hausmüll entsorgt werden. Sie sind zur Rückgabe gebrauchter Batterien und Akkus gesetzlich verpflichtet und können die Batterien nach Ge-

brauch entweder in unserer Verkaufsstelle oder in unmittelbarer Nähe (z.B. im Handel oder in kommunalen Sammelstellen) unentgeltlich zurückgeben.

Batterien und Akkus sind mit einer durchgekreuzten Mülltonne sowie dem chemischen Symbol des Schadstoffes bezeichnet, "Cd" steht für Cadmium, "Hg" steht für Quecksilber und "Pb" steht für Blei.



Cd¹



Hg²



Pb³

Service

DE AT CH BE

Bei Fragen zum Produkt und eventuellen Reklamationen nehmen Sie bitte zunächst mit dem Service-Center Kontakt auf, vorzugsweise per E-Mail.

E-Mail: service@bresser.de
Telefon*: +49 28 72 80 74 210

BRESSER GmbH
Kundenservice
Gutenbergstr. 2
46414 Rhede
Deutschland

*Lokale Rufnummer in Deutschland (Die Höhe der Gebühren je Telefonat ist abhängig vom Tarif Ihres Telefonanbieters); Anrufe aus dem Ausland sind mit höheren Kosten verbunden.

GB IE

Please contact the service centre first for any questions regarding the product or claims, preferably by e-mail.

e-mail: service@bresseruk.com
Telephone*: +44 1342 837 098

BRESSER UK Ltd
Customer Support
Suite 3G, Eden House
Enterprise Way
Edenbridge, Kent TN8 6HF
United Kingdom

*Number charged at local rates in the UK (the amount you will be charged per phone call will depend on the tariff of your phone provider); calls from abroad will involve higher costs.

FR BE

Si vous avez des questions concernant ce produit ou en cas de réclamations, veuillez prendre contact avec notre centre de services (de préférence via e-mail).

e-mail: sav@bresser.fr
Téléphone:** 00 800 6343 7000

BRESSER France SARL
Service après-vente
Pôle d'Activités de Nicopolis
314 Avenue des Chênes Verts
83170 Brignoles
France

**Prix d'un appel local depuis la France ou Belgique

NL BE

Als u met betrekking tot het product vragen of eventuele klachten heeft kunt u contact opnemen met het service centrum (bij voorkeur per e-mail).

e-mail: info@bresserbenelux.nl
Téléfono*: +31 528 23 24 76

BRESSER Benelux
Klantenservice
Smirnofstraat 8
7903 AX Hoogeveen
Nederland

*Het telefoonnummer wordt in het Nederland tegen lokaal tarief in rekening gebracht. Het bedrag dat u per gesprek in rekening gebracht zal worden, is afhankelijk van het tarief van uw telefoon provider; gesprekken vanuit het buitenland zullen hogere kosten met zich meebrengen.

ES PT



Si desea formular alguna pregunta sobre el producto o alguna eventual reclamación, le rogamos que se ponga en contacto con el centro de servicio técnico (de preferencia por e-mail).

e-mail: servicio.iberia@bresser-iberia.es
Téléfono*: +34 91 67972 69

BRESSER Iberia SLU
Servicio al Cliente
c/Valdemorillo, 1 Nave B
P.I. Ventorro del cano
28925 Alcorcón Madrid
España

*Número local de España (el importe de cada llamada telefónica dependen de las tarifas de los distribuidores). Las llamadas des del extranjero están ligadas a costes suplementarios.

Bresser GmbH
Gutenbergstraße 2
46414 Rhede · Germany
www.bresser.de

   @BresserEurope

Bresser UK Ltd.
Suite 3G, Eden House
Enterprise Way, Edenbridge,
Kent TN8 6HF, Great Britain

